

LEAF

design
SERGIO BELLIN



SitLand®

COMFORT DESIGNED TO RESPECT THE ENVIRONMENT

Leaf is the seat that improves your day. Breathable and ergonomic, Leaf ensures comfort, reducing fatigue. A product characterised by innovative colours and materials, that easily adapts to any functional and aesthetic need: always respecting the environment.



THE AESTHETICS OF COMFORT

Leaf is conceived as functional and aesthetically pleasant chair. The back in polyamide is characterised by an elegant leaf pattern, embossed on the back. The back upholstery instead, consists of a particular technical padding made in fabric combined to a highly-elastic expanded elastomer, perfectly adherent to the user, ensuring comfort. The back technical padding is characterised by three different geometric patterns obtained through thermo-moulding. The air chamber created between the back structure and padding confers instead optimal breathability.

TAILOR-MADE TO YOUR NEEDS

Leaf features a lumbar support adjustable in height and depth. A spring system allows in fact to adapt the seat to the support needs of its user. The lumbar support ensures proper support at the base of the spine, reducing fatigue due to extended sitting times.

THE MECHANICS OF COMFORT

Leaf features a synchro mechanism that regulates the seat and back angle, locking it in 5 positions with anti-shock system. The tilt tension can be adjusted by a practical side handle, according to the user's weight.

ASSISTED MOVEMENTS

Leaf seat moves in tune with its user. Adjustable in depth and lockable in the desired position, Leaf seat follows the user's movements in the "free" option activated with the second locking position of the adjusting lever.

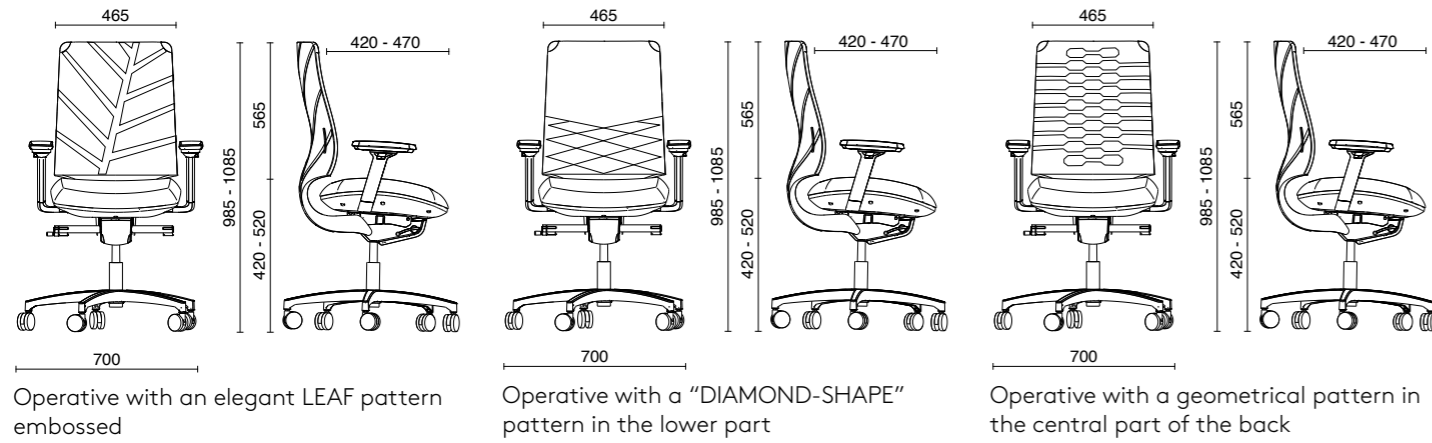
COMFORTABLE

Leaf comfort is also guaranteed by the wide and thick seat (75mm) with pad in flexible polyurethane. The side stitching of the upholstery enhance the seat silhouette.

FREEDOM TO CHOOSE

Different types of armrests, bases and casters offer the possibility to choose the most suitable version for your needs.

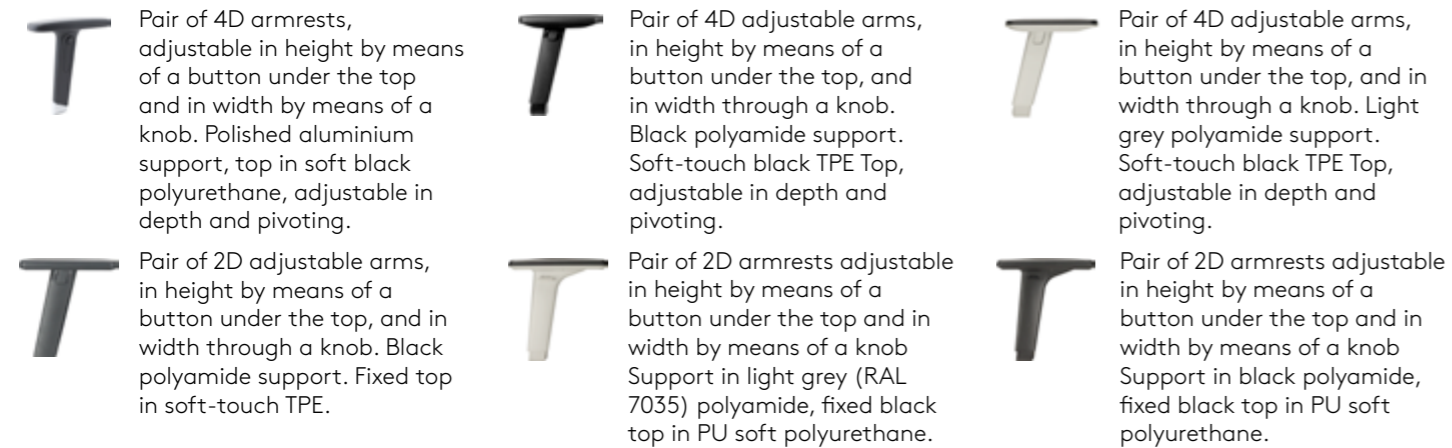
MODELS AND DIMENSIONS



MECHANISM

	LEAF	LEAF START&GO
Synchronized mechanism for the adjustment of back and seat angle, lockable in 5 positions with anti-shock system adjustment of the tension of the body-weight using a side handle	<input type="checkbox"/>	<input type="checkbox"/>
Seat height adjustment gas lift.	<input type="checkbox"/>	<input type="checkbox"/>

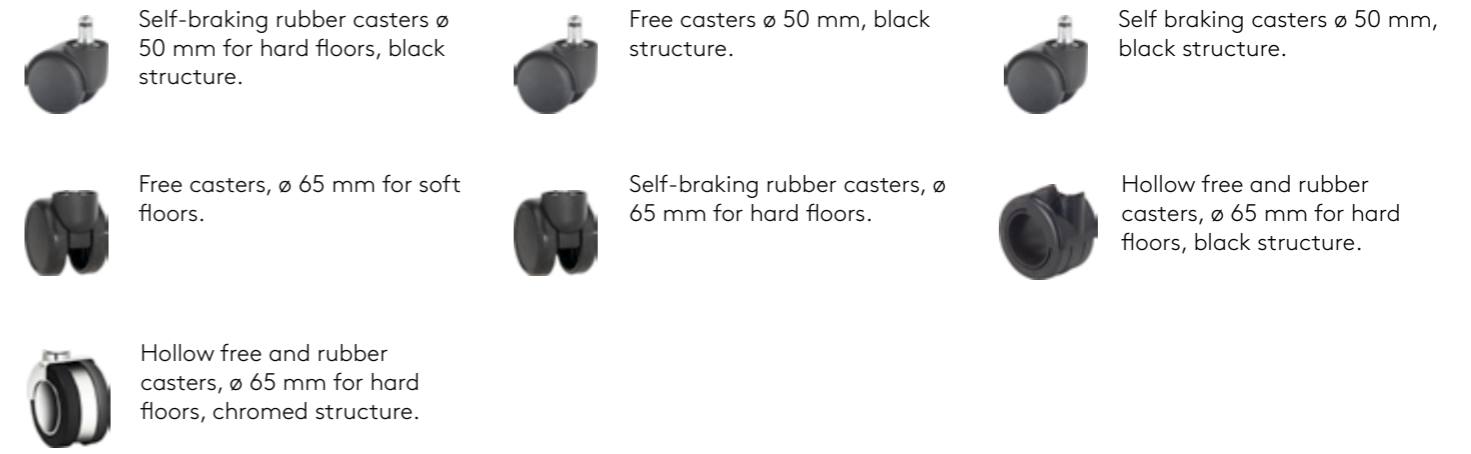
ARMS



BASES

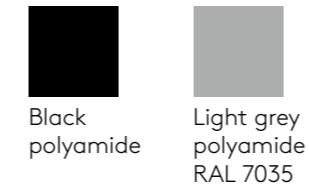


CASTERS



COLOURS, MATERIALS, FINISHING *

PLASTIC FINISHING



SEAT UPHOLSTERY



TECHNICAL BACK UPHOLSTERY



* Please refer to the Price list in force and to the General sale conditions for the colours and the combinations available for every single product. Colours shown are used for reference only and may look different in reality. Please contact SitLand to receive more information.

PCON.PLANNER



It is possible to configure our model Leaf by using pCon.planner program for the design of 2D an 3D environment.

pCon.planner allows to design working solutions in a fast and intuitive way, creating "realistic" images with advanced features, with a considerable saving of time and resources.

It is easy to start using pCon.planner: after downloading the software in the proper page, it is possible to download pCon.catalog, the practical online catalogue of products ready to be set up according to anyone's need, and then include the products in the projects.

For more information on the use of pCon.planner and the access to the products of the SitLand's catalogues, please contact com@sitland.com

D.Lgs. 81/2008

Leaf comply with the italian norm D.Lgs. 81/2008.

GREENGUARD CERTIFICATION



Spirit Air has achieved GREENGUARD Certification. GREENGUARD e GREENGUARD Gold are products' certifications released after accurate laboratory tests which assure a low level of chemical emissions of the GREENGUARD tested products in the inner environments. As a matter of fact, in the inner environments, the air is 2 - 5 times more polluted than on the outside and the pollutants comes from products and materials that we use every day. Therefore, the quality of air in the inner spaces is an important issue when people pass the most part of their time in inner environments. The products certified GREENGUARD ensure a low level of chemical emissions, therefore a better quality of air in those places where they are used. Those chairs which obtained the GREENGUARD Gold certification grant the total absence of chemical emissions, then they are the safest choice for public spaces like schools and healthcare setting. The products certified GREENGUARD contribute to create Leed buildings.

For more information on GREENGUARD, visit the official web site ul.com/gg.

WARRANTY



Leaf has 5 years warranty. For any further detail, please contact SitLand's customer service at service@sitland.com

MORE INFORMATION

Please look through our catalogue to see all the different versions available of Leaf

http://www.sitland.com/sitland_catalogues/sitland_general_catalogue/sitland_general_catalogue.html#p=106

or see our Leaf page into our web site www.sitland.com with the following QR code. To use this code you need to have a smartphone with a web cam or a dedicated application that can be easily downloaded.



SitLand®

SitLand S.p.A.
Via Cà Silvestre, 52
36024 Nanto - Vicenza - Italy
info@sitland.com - www.sitland.com
Tel. +39 0444 637100

SitLand S.p.A. is certified
UNI EN ISO 9001: 2008
UNI EN ISO 14001: 2004



Follow us on

